

TP-HP001 | HORIZONTAL FFS (Form, Fill, Seal) MACHINE FOR POWDERY PRODUCTS

TURPACK
www.turpack.com



Horizontal machines are fully automatic machines and make 4 side sealed sachet-type packages to fill powdery products. This machine can fill coffee, mix flour, powdered beverages, powder spices like cinnamon, black pepper, mixed spices, milk powder and powder chemicals, cosmetics and medicines. The sachet size is flexible, both width and height of the sachets can be changed depending on demand this gives the customer a flexible usage.

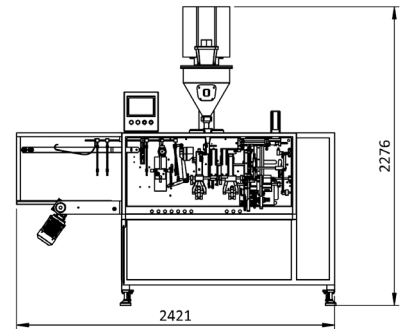
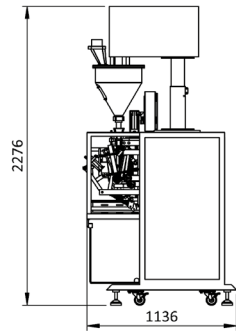
Technical Specifications

Number Of Lanes	Single Lane
Filling Weight Range	(1-5 gr) (5-20 gr) (20-50 gr) (50-100 gr)
Bag Width	50x50 mm
Bag Length	150x150 mm
Capacity	Max 90 pcs/min (Depends on Product)
Filling System	Auger Dosing System
Servo Motor	KOLLMORGEN
Control System	SIEMENS PLC
Pneumatic System	FESTO
Sensor	SICK
Construction Body	SS304
Parts In Product Contact	SS316
Package Style Format	4 side Seal Sachet
Maximum Roll Width	300 mm Max.
Maximum Roll Diameter	450 mm Max.
Compressed Air Cons.	6 Bar, (MAX 450 Litres/min)
Weighth of the Machine	650 Kgs
Electricity Connection	Can be produced according to your country's connection system.
Power Consumption	10 KW
Package Specification	12 PET, 7 AL, 35-60 PE
Application	Suitable for packing non free flowing products, such as coffee cream, instat sup, lemon powder, instant drink powder, flour, powdery chemicals, medical powders etc. In to the 4 side seal sachet type packages

Optional Features	Additional Tank For Fill Liquid Additional Servo Motor - Date Coding System Conveyor Belt - Easy Open Side Tear Notch Perforation - Auto Feeding System
-------------------	--

SUITABLE FOR

Packing non free flowing products, such as coffee cream, instant soup, lemon powder, instant drink powder, flour, powdery chemicals, medical powders etc.in to the 4 side seal sachet type packages.



Dimensions, weight, power usage and technical drawings are for the machine in the picture. There may be slight variations for different machines.